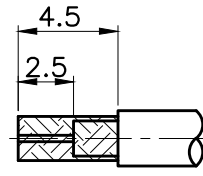
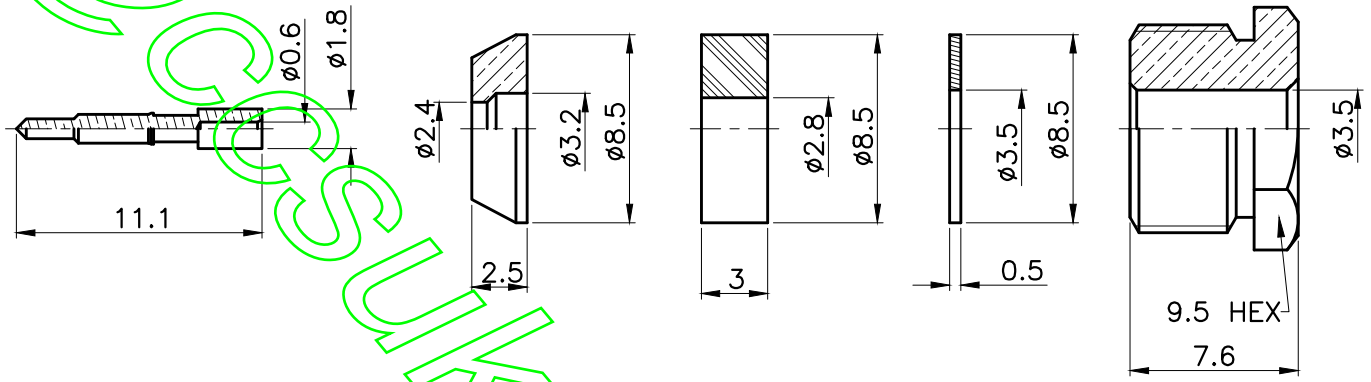
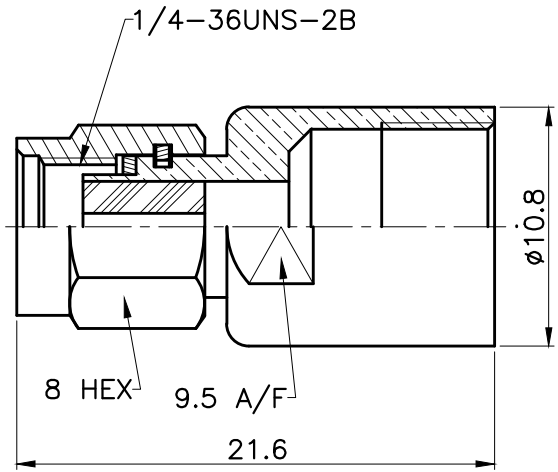


REVISIONS	
ISS	DESCRIPTION \ DATE

RoHS COMPLIANT



RECOMMENDED
CABLE STRIPPING DIM'S



CONNECTORS CABLES



SPECIALISTS LTD.

APRD:	UNLESS OTHERWISE SPECIFIED TOLERANCES 0.5-6 = ±0.2 >6-30 = ±0.4 >30-120 = ±0.6 >120-315 = ±1 >315-1000 = ±1.6 ANGLES = ±5°
CHKD:	
DR:	
DATE: 06/02/14"	UNIT: mm
SHEET: .	SCALE: 3/1

NUT	BRASS	NICKEL
WASHER	BRASS	NICKEL
GASKET	SILICONE	RED
CLAMP	BRASS	NICKEL
CONTACT PIN	BRASS	GOLD
C RING	BRASS	NONE
GASKET	RUBBER	RED
SHELL	BRASS	NICKEL
INSULATOR	TEFLON	WHITE
BODY	BRASS	NICKEL
NO. DESCRIPTION	MATERIAL	FINISH

TITLE: SMA MALE CLAMP (FOR RG174)	
PART NO: SMAPSC174	029
DRAWING NO:	